



James Madison
HIGH SCHOOL

Nets and Drawings for Visualizing Geometry

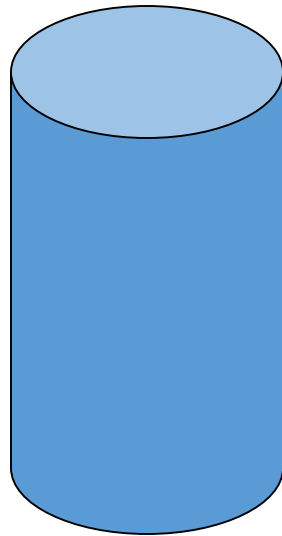
Chapter 1 Section 1



James Madison
HIGH SCHOOL

What Is A Solid?

- Three-dimensional object

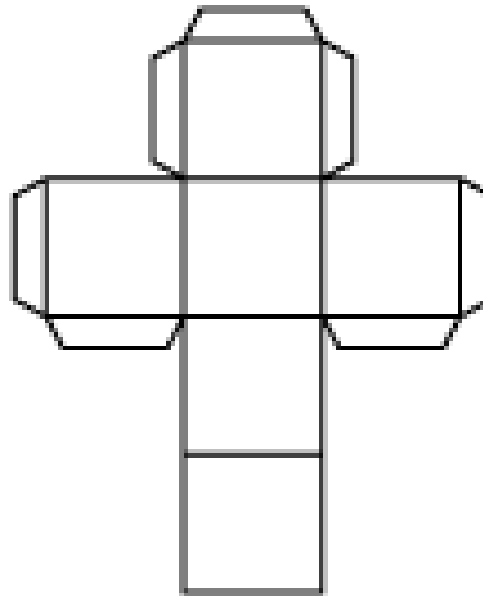




James Madison
HIGH SCHOOL

Making A Net

- A NET is a template or a 2-dimensional blueprint used to create a three dimensional object.



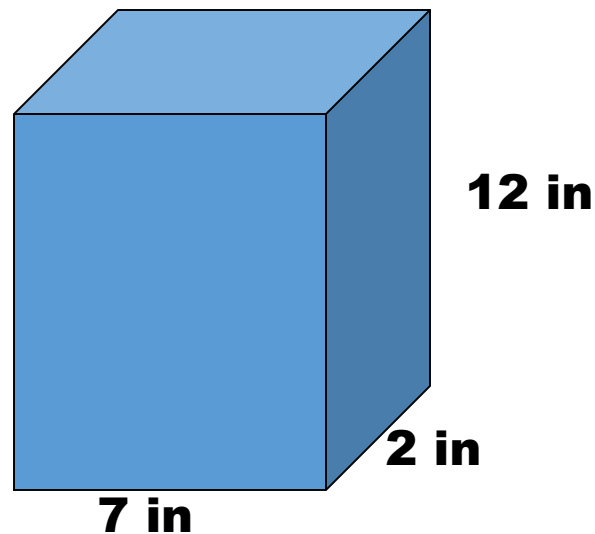


James Madison
HIGH SCHOOL

Create a Box From A Net

1. In small groups (3) create a box from the net that your group will be given.

2. Create a net for the following object

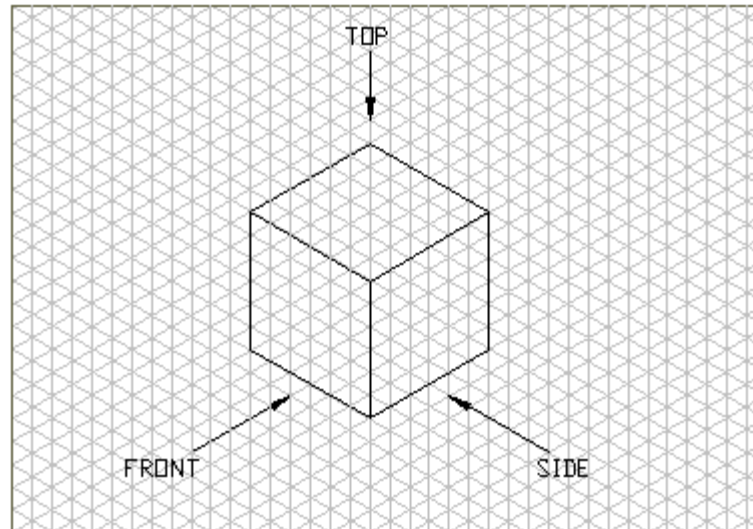




James Madison
HIGH SCHOOL

Isometric What?

- An isometric drawing is a drawing of a 3D object that looks 3D on a 2D surface (paper).

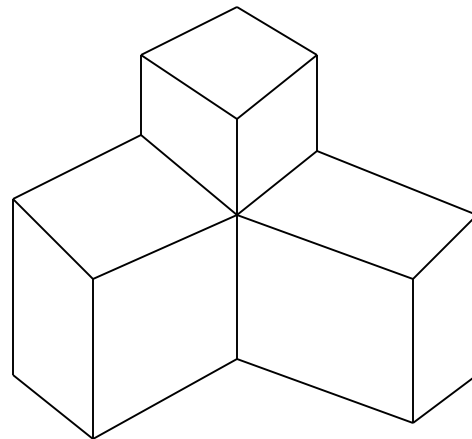




James Madison
HIGH SCHOOL

Create Your Own Isometric Drawing

- On the graph paper provided, see if your group can create an isometric drawing from the stack of cubes on page 6 under Problem 3 (Got It? #3)



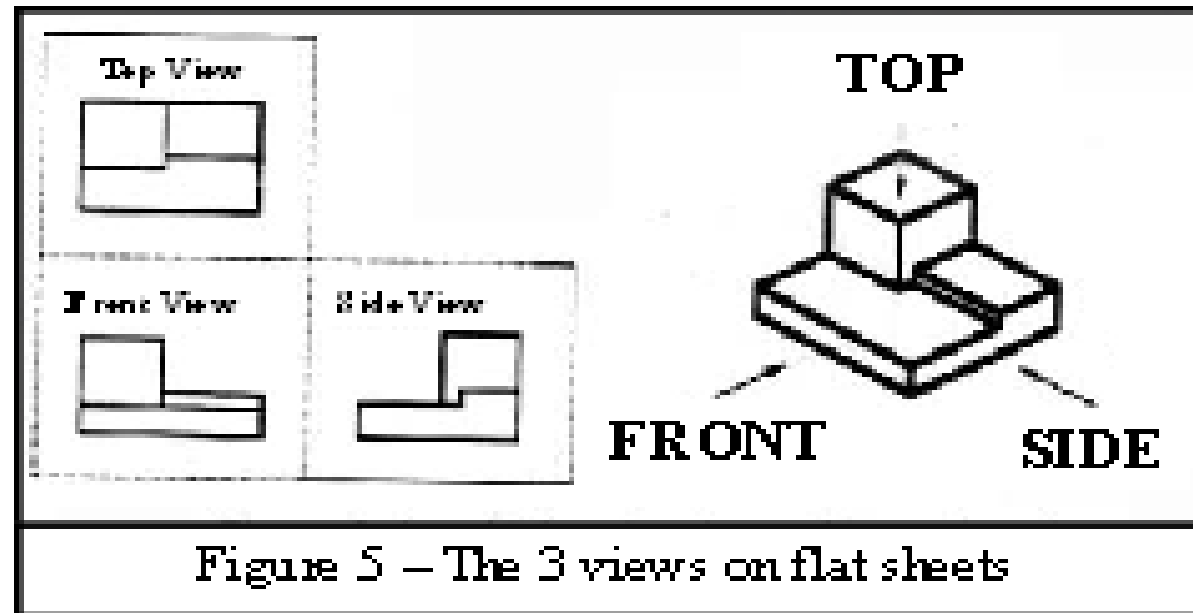
Orthographic Drawing

- This is an optional way of representing a three dimensional object
- It is a drawing of what you would see from different views of the object



More Orthographic Drawings

- Solid Lines show visible edges
- Dashed lines show hidden edges that you know are there but cannot necessarily see.



**See Page
6 for
another
example**